

**INSTALLATIEVOORSCHRIFT NL/BE  
INSTRUCTIONS FOR INSTALLATION GB/IE  
INSTALLATIONSVORSCHRIFT DE/AT/BE/LU/CH  
INSTRUCTIONS D'INSTALLATION FR/BE/LU/CH**

**Boezemijzer  
Mantel Iron  
Kaminüberbaueisen  
Soupente**

**SAXO SL  
SCENIC SL  
METRO XT2  
METRO XT3**

*Bewaar dit document zorgvuldig  
Please retain this document carefully  
Bewahren Sie dieses Dokument sorgfältig auf  
Conservez soigneusement cette notice*



**DRU VERWARMING B.V.  
HOLLAND**

957.614.01



# INSTRUCTIONS FOR INSTALLATION

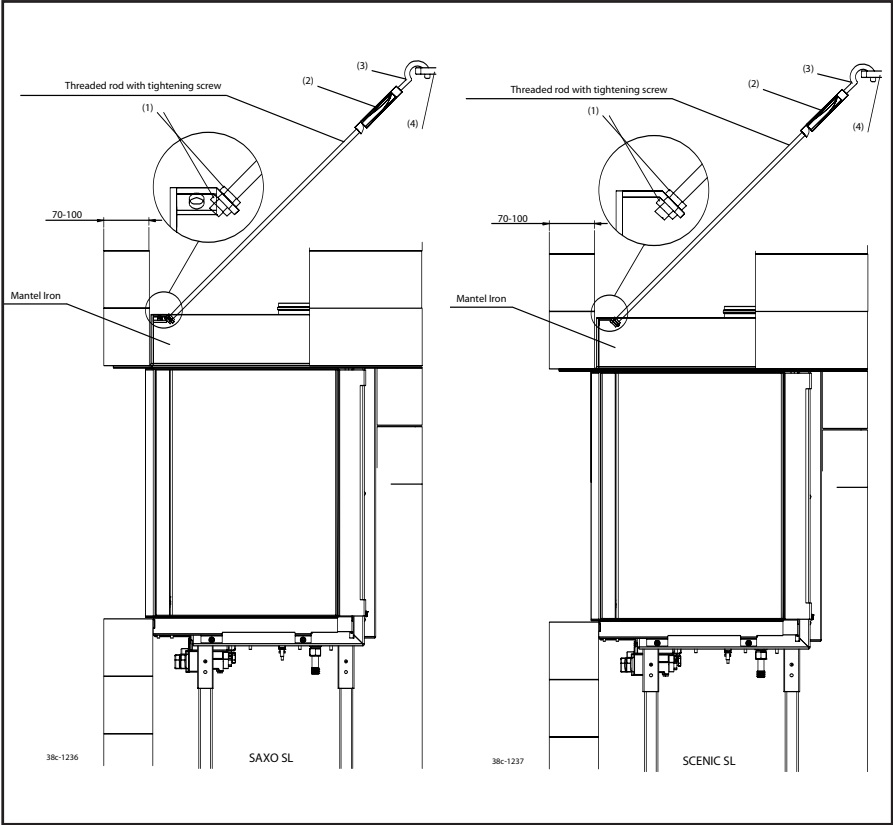


fig. 1

## **Mantel Iron**

An L/U-shaped iron mantel for a corner is available by order from your installer. A mantel serves to support the brickwork above the fireplace, enabling the stress-free installation of the appliance.

Shorten the iron mantel to the required length and lay it on the brickwork. We advise you to use 70 till max. 100 mm thick bricks. Position the iron mantel as illustrated in fig. 1.

Fix the threaded rod(s) provided onto the corner(s) of the iron mantel with nuts (1). Remove the hook with the right-handed thread from the tightening screw (2) and screw in the threaded rod. Fix the tightening screw (2) with the hook (3) to the eye (4) to the other side. Fix the eye to the wall with a rawlplug. Level it all using the tightening screw.